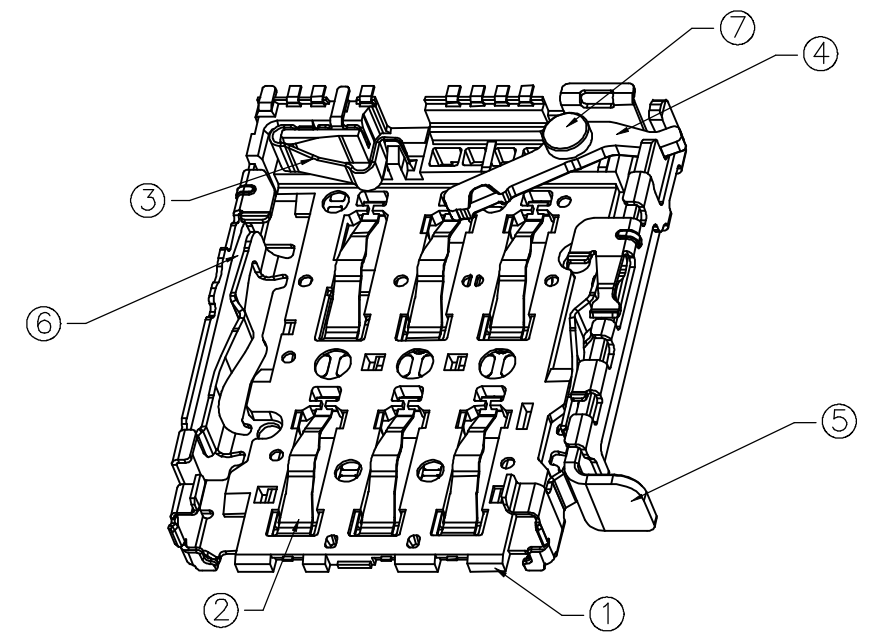
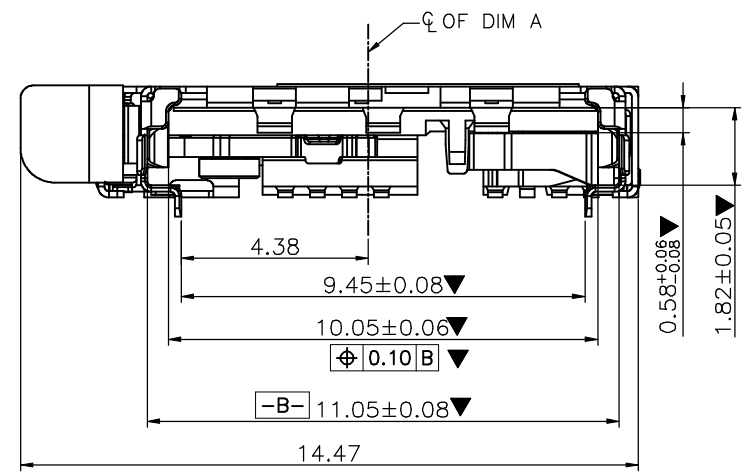
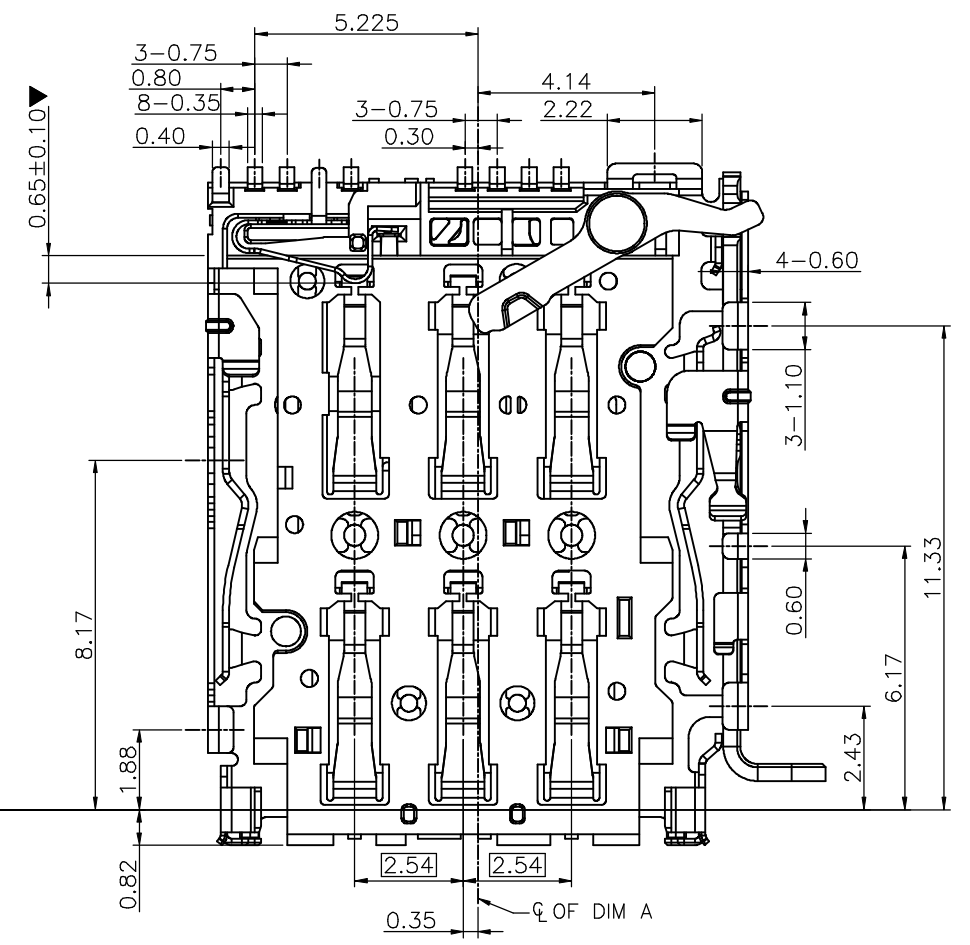
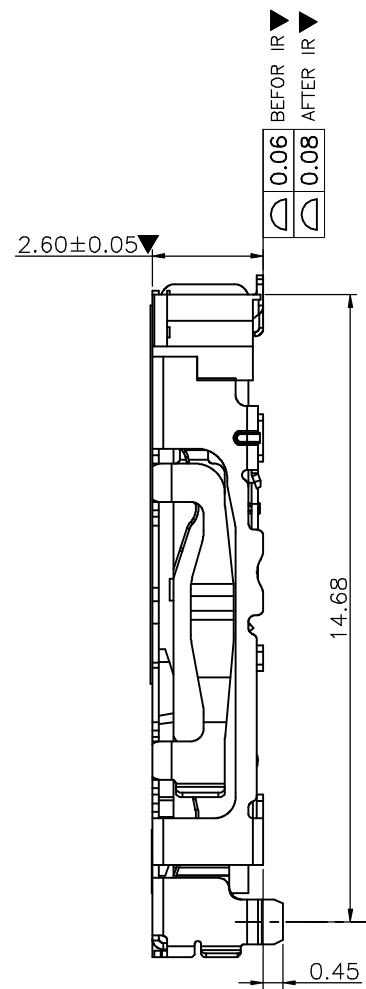
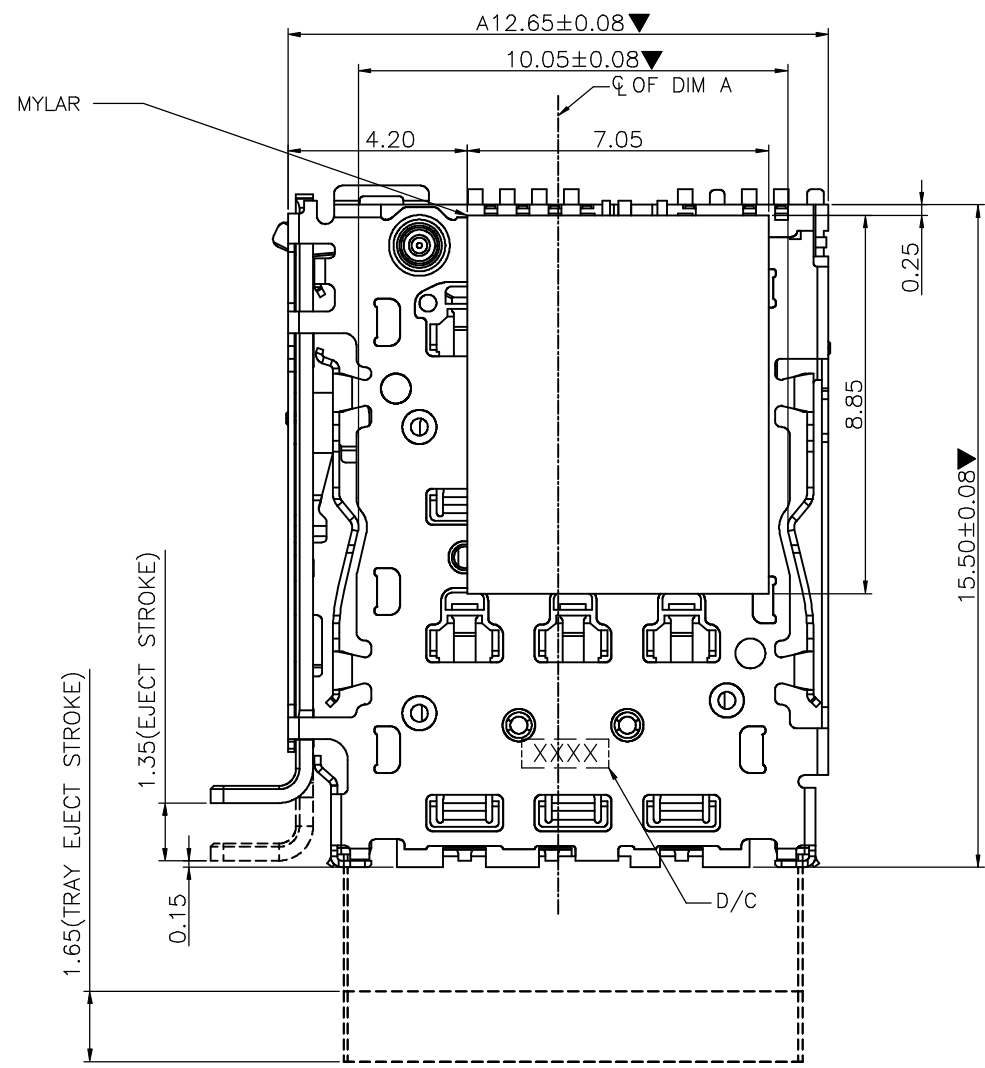


A3

REV	ECN NO	DESCRIPTION	DATE	APPD
X1		INITIAL RELEASE	2019.09.02	Andrew

A
B
C
D
E

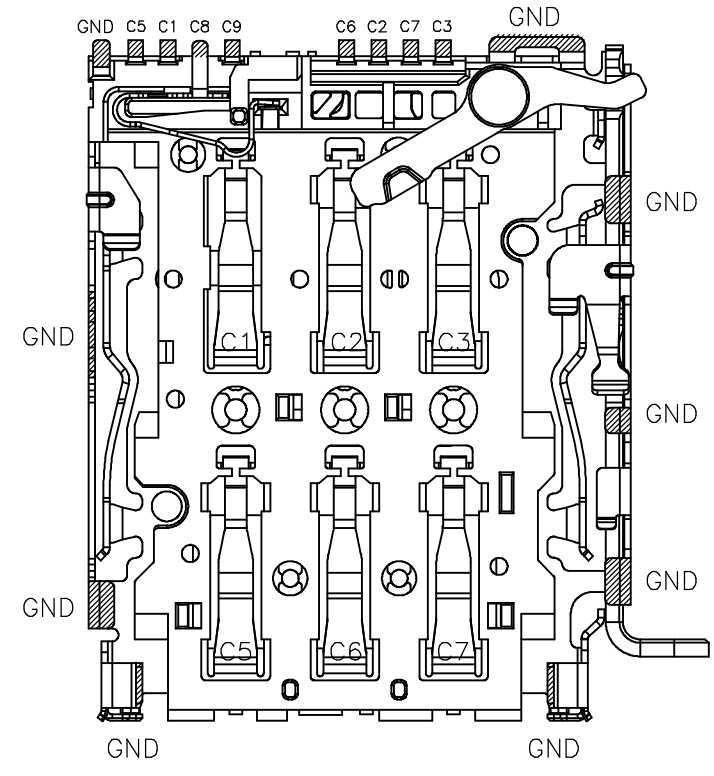
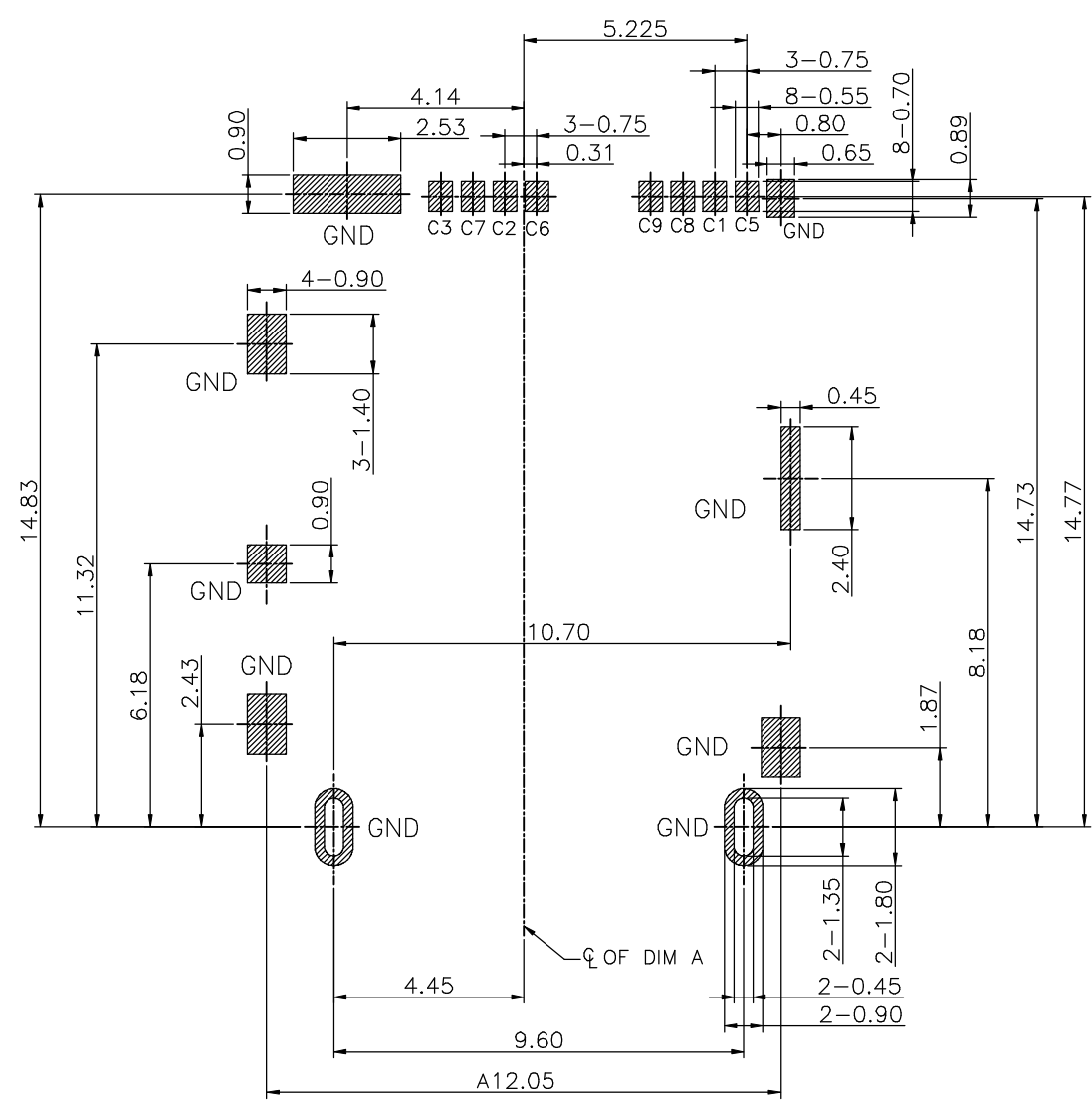


NOTES:
 1.PLATING:
 CONTACT AREA 15u" Au Min;
 SOLDER AREA 2~8u" Au; Ni 50u" Min UNDERPLATING OVER ALL;
 2.ELECTRICAL REQUIREMENTS:
 CURRENT RATING:0.5A Min;
 CONTACT RESISTANCE:INITIAL 75 mohm MAX.FINAL 100 mohm MAX;
 DETECT PIN RESISTANCE:INITIAL 75 mohm MAX.FINAL 100 mohm MAX;
 INSULATION RESISTANCE:INITIAL 1000 Mohm MIN.500 VDC FOR 1 MINUTE;
 WITHSTANDING VOLTAGE:500V AC FOR 1 MINUTE;
 3.MECHANICAL REQUIREMENTS:
 MATING FORCE:8N Max;UNMATING FORCE:5N Min, FINAL 3.5N Min;
 OPERATING FORCE:15N Max;
 DURABILITY:3000 CYCLES Min;
 4.PLEASE DO NOT MATING TRAY WHEN THE SOCKET IS NOT MOUNTING ON THE PCB.

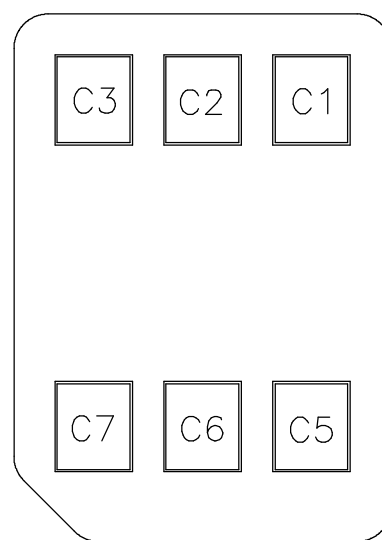
7	RIVET	SUS303 CU	UNPLATING	1
6	SHIELD	STAINLESS STEEL	SOLDER AREA 2~8u" Au	1
5	LEVEL	STAINLESS STEEL	UNPLATING	1
4	CAM	STAINLESS STEEL	UNPLATING	1
3	SWITCH	COPPER ALLOY	CONTACT AREA 5u"Au Min SOLDER AREA 2~8u" Au	1
2	TERMINAL	COPPER ALLOY	CONTACT AREA 15u"Au Min SOLDER AREA 2~8u" Au	1
1	HOUSING	LCP	N/A	1
ITEM	PART NAME	MATERIAL	FINISH	QTY

EXTEND USE DUAL-LAYER NANO SIM PIN PUSH TYPE	UNIT mm	TITLE 1.096A2 CONN. Customer Drawing		
GENERAL TOLERANCE (M)	MATERIAL	APPD Andrew 2019.09.02	DWG NO C-1.096A2	
DIMENSION	QTY	CHD	P/N: 1.096A2-006-5R0	
.0 ±0.30 .0 ±0.25 .00 ±0.20 .000 ±0.10	FINISHED	DRN Ted 2019.09.02	SHEET 1/3	SCALE 1:1
ANGLES .0 ±3° .0 ±2° .00 ±1°			REV X1	

1 2 3 4 5 6 7 8



RECOMMEND PC BOARD LAYOUT
TOLERANCE:±0.05
SOLDER AREA



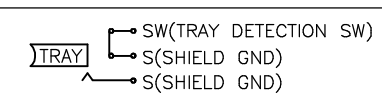
ITEM	FUNCTION
C1	VCC OF SIM
C2	RST OF SIM
C3	CLK OF SIM
C5	GND OF SIM
C6	VPP OF SIM
C7	I/O OF SIM

CARD PIN DEFINE

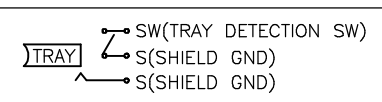
ITEM	FUNCTION
C1	VCC OF SIM
C2	RST OF SIM
C3	CLK OF SIM
C5	GND OF SIM
C6	VPP OF SIM
C7	I/O OF SIM
C8	SW-GND
C9	SW-CD

CONNECTOR PIN DEFINE

NANO CARD



NORMAL CLOSE SWITCH(BEFORE TARY INSERT)

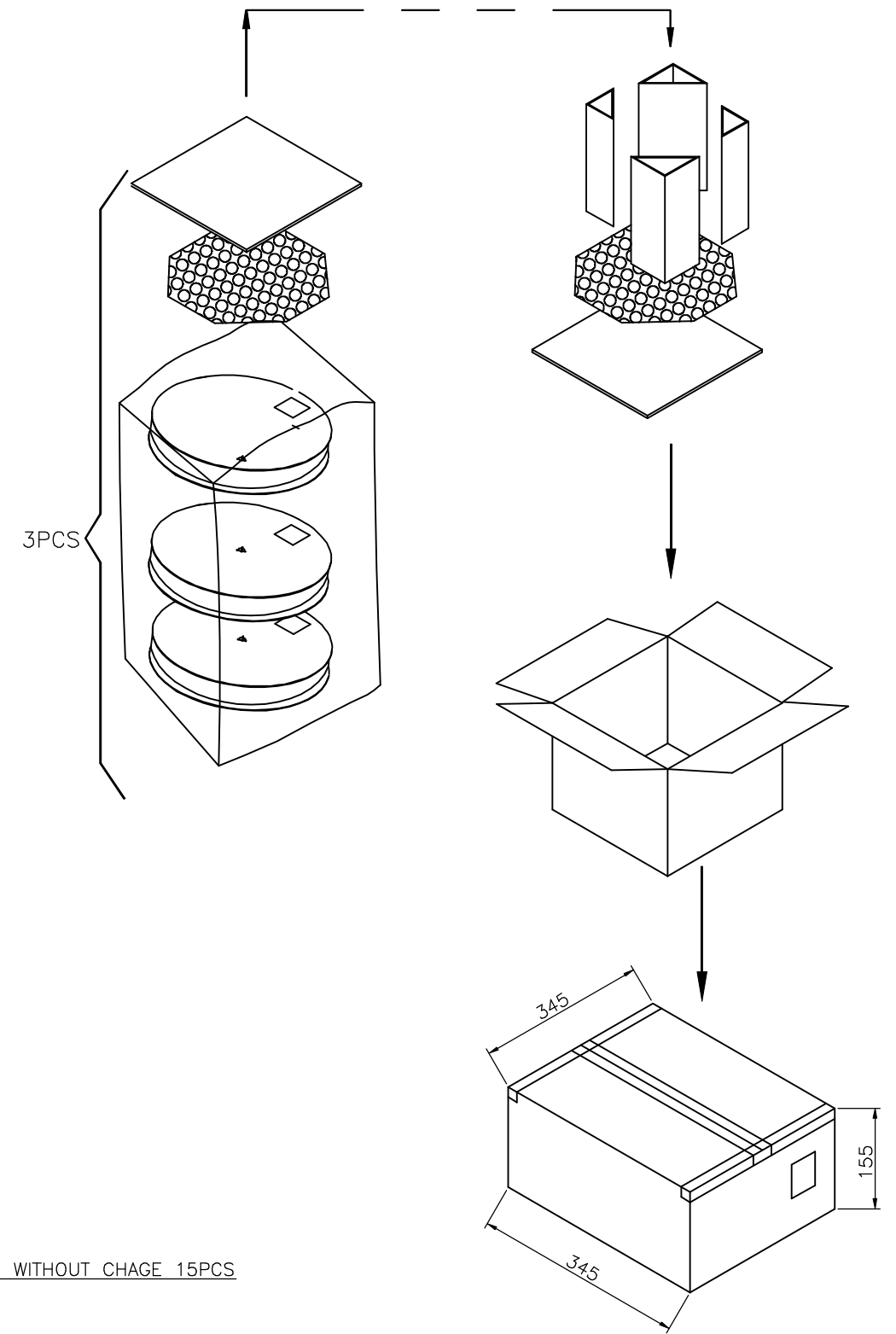
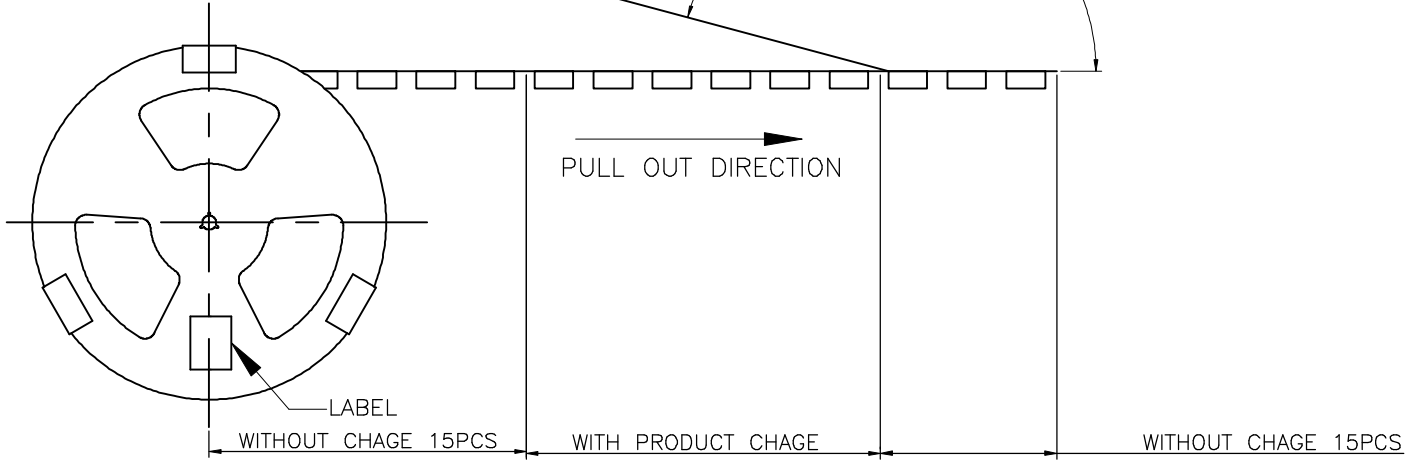
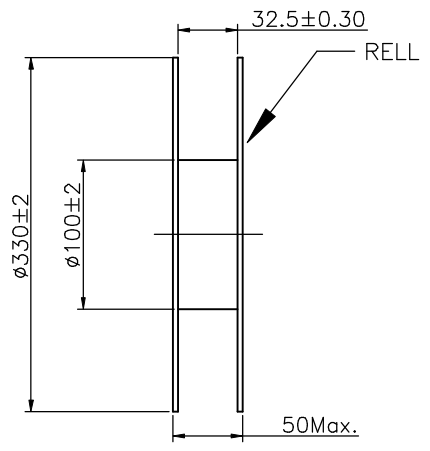
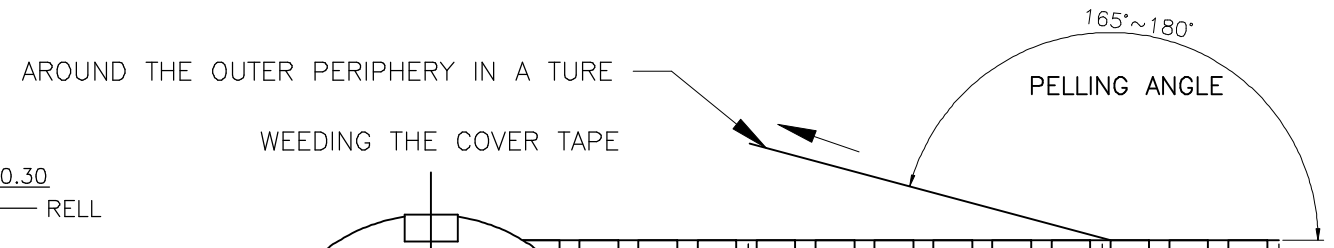
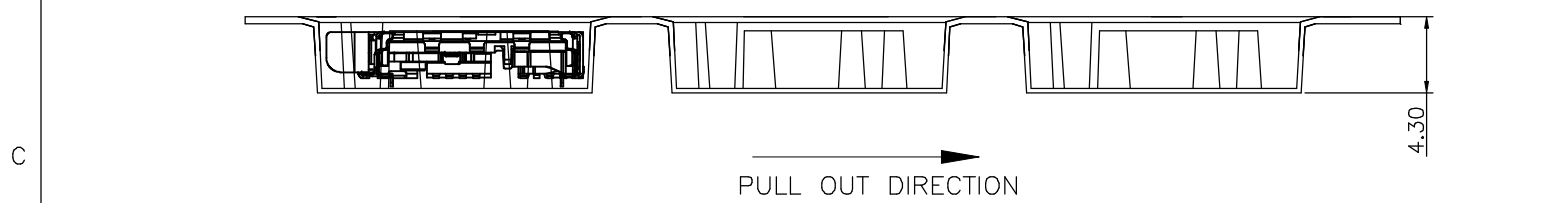
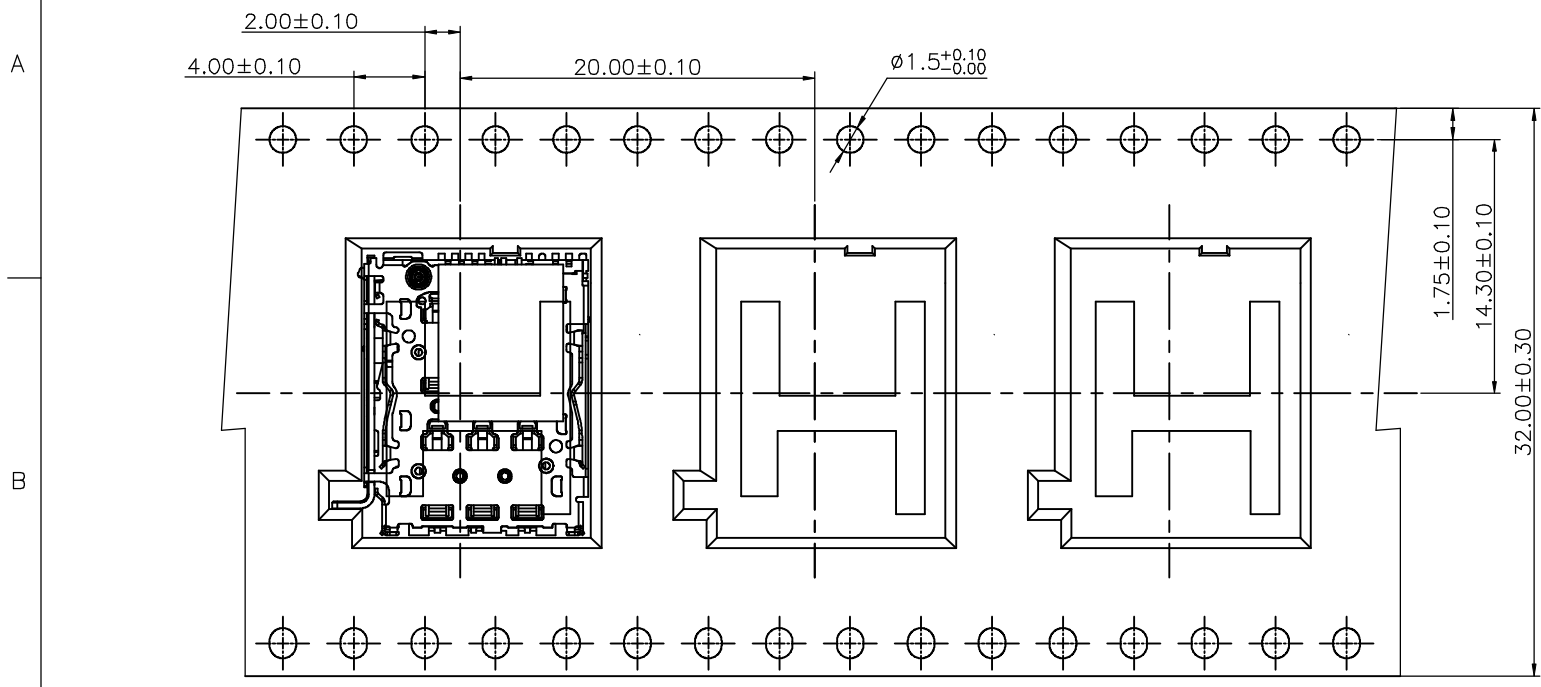


OPEN(AFTER TARY INSERT)

EXTEND USE DUAL-LAYER NANO SIM PIN PUSH TYPE	UNIT mm	TITLE 1.096A2 CONN. Customer Drawing	
	MATERIAL	APPD Andrew 2019.09.02	
DIMENSION . ±0.30 .0 ±0.25 .00 ±0.20 .000 ±0.10	ANGLES ±3° ±2° ±1°	QTY	P/N: 1.096A2-006-5R0
		FINISHED	DRN Ted 2019.09.02
			SHEET 2/3
			SCALE 1:1
			REV X1

A3

REV	ECN NO	DESCRIPTION	DATE	APPD
详见第一页说明				



- Notes:
- MATERIAL:
CARRIER TAPE: PS.
COVER TAPE: PE,PET,PEF
 - Q'TY: 800PCS/REEL, 2400PCS/CARTON
 - PEELING FORCE: 20gf~130gf.

EXTEND USE DUAL-LAYER NANO SIM PIN PUSH TYPE	UNIT mm	TITLE	
		1.096A2 CONN. Customer Drawing	
GENERAL TOLERANCE (M)	MATERIAL	APPD Andrew 2019.09.02	P/N: 1.096A2-006-5R0
DIMENSION	ANGLES	CHD	DRN
.0 ±0.25	.0 ±2°	DRN Ted 2019.09.02	SHEET 3/3
.00 ±0.20	.00 ±1°	SCALE 1:1	REV X1
.000 ±0.10			